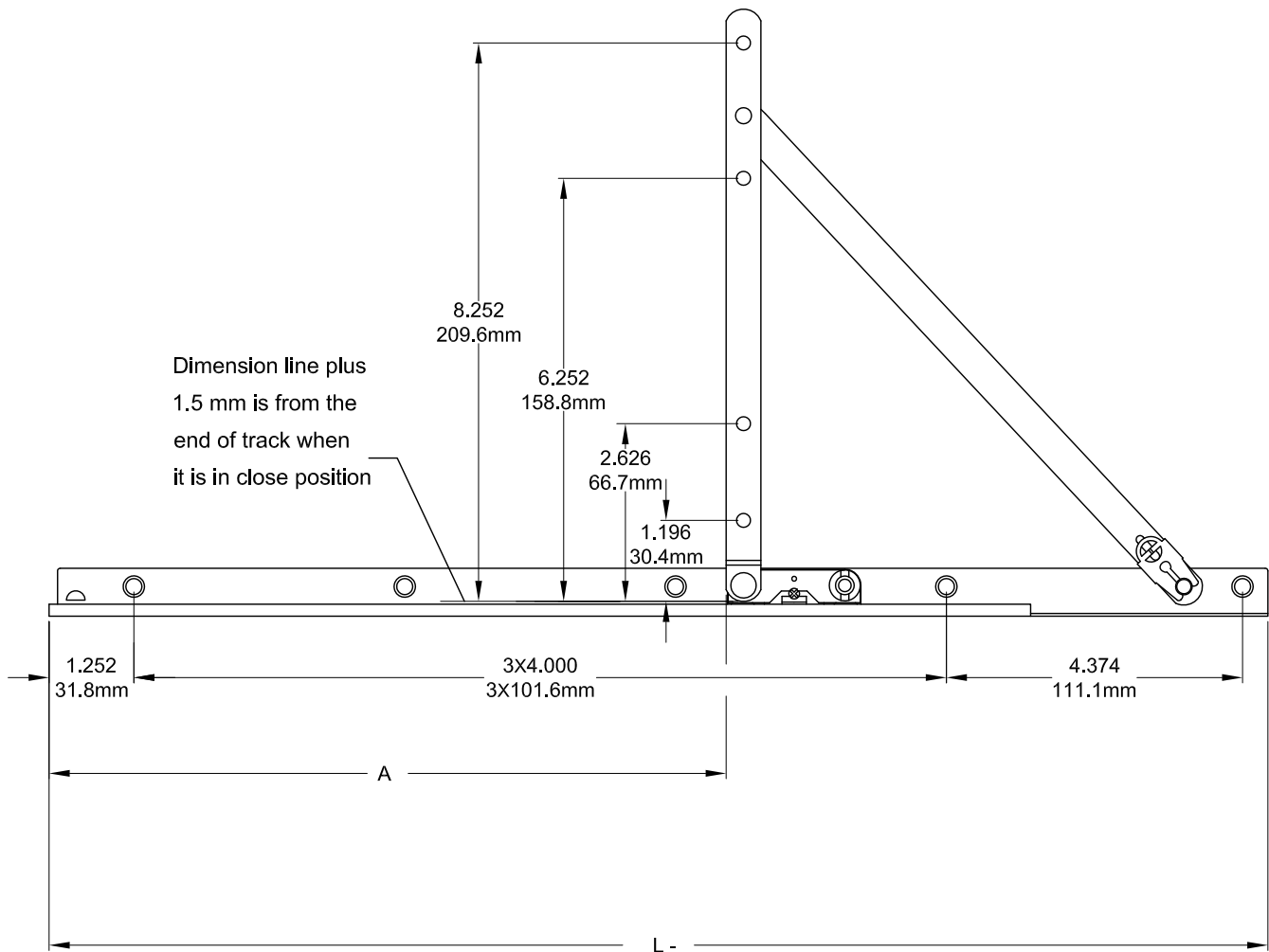


18" Standard Two Bar Hinge



Right Hand Shown

Part Number	Product Name	" A "	" L "	Material	Hand
19018-SAC-01	Two Bar Hinge , 18" , Standard , Adjustable , Clip-on , LH	10"	18"	Steel	LH
19018-SAC-00	Two Bar Hinge , 18" , Standard , Adjustable , Clip-on , RH	10"	18"	Steel	RH
7018-SAC-01	Two Bar Hinge , 18" , Standard , Adjustable , Clip-on , SST , LH	10"	18"	SST	LH
7018-SAC-00	Two Bar Hinge , 18" , Standard , Adjustable , Clip-on , SST , RH	10"	18"	SST	RH
19018-SNC-01	Two Bar Hinge , 18" , Standard , Non-Adjustable , Clip-on , LH	10"	18"	Steel	LH
19018-SNC-00	Two Bar Hinge , 18" , Standard , Non-Adjustable , Clip-on , RH	10"	18"	Steel	RH
7018-SNC-01	Two Bar Hinge , 18" , Standard , Non-Adjustable , Clip-on , SST , LH	10"	18"	SST	LH
7018-SNC-00	Two Bar Hinge , 18" , Standard , Non-Adjustable , Clip-on , SST , RH	10"	18"	SST	RH